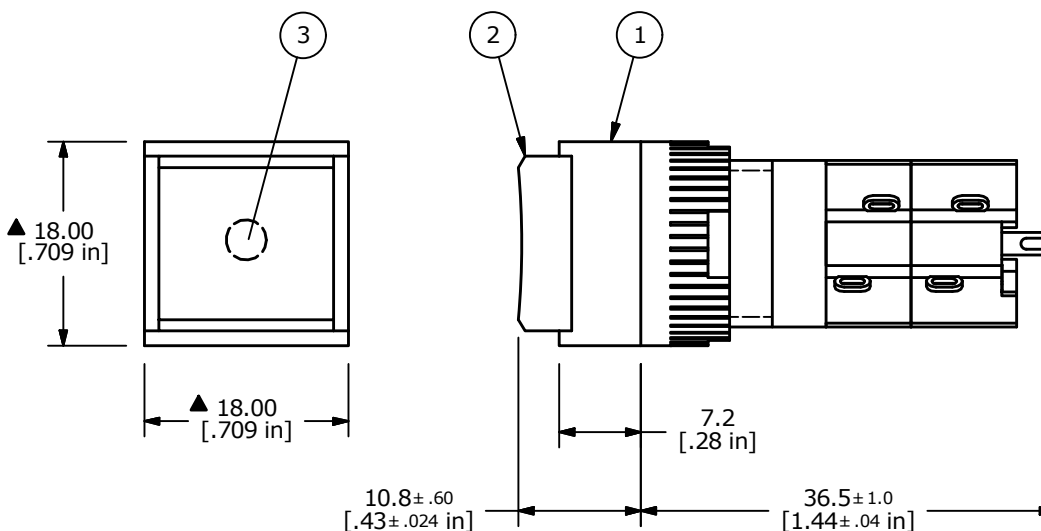
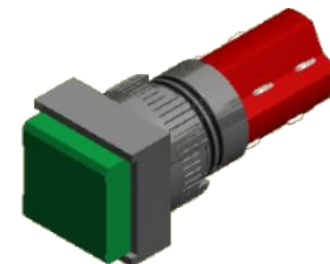


PARTS LIST			
ITEM	QTY	PART NUMBER	DESCRIPTION
1	1	F040020	D16EES12
2	1	F050302	50-003-02 LENS, SQUARE, CONCAVE, GREEN
3	1	F050422	50-004-22 LED, 24V DC, GREEN



- NOTE:
- ALL DIMENSIONS IN MM [INCH].
 - GENERAL TOLERANCE: X.X = ±0.4
X.XX = ±0.25
 - TERMINAL NUMBERS FOR REF ONLY.
 - RATING: 5A @ 250VAC UL, VDE
8A @ 125VAC UL, VDE
6A @ 24VDC
0.2A @ 250VDC
 - ELECTRICAL LIFE: 50,000 MAKE-AND-BREAK CYCLES AT FULL LOAD min.
 - INSULATION RESISTANCE: 1,000 MEGA-OHM min.
 - OPERATING TEMP.: -25°C to +55°C
 - LAMP VOLTAGE: 24V DC LED
 - PANEL THICKNESS = 0.5mm to 5.0mm
 - ▲ DENOTES CRITICAL PARAMETER.
 - PACKAGE: BOX / 20 PIECES PER BOX
 - DEGREE OF PROTECTION: IP40
 - TRAVEL: 3.00mm FULL TRAVEL, 2.0mm LATCHING
 - 2011/65/EU (ROHS) COMPLIANT



A	22644	RELEASED FOR PRODUCTION	12/22/16	MW
REV	PCR NO	DESCRIPTION	DATE	BY

TITLE D16EES12KGRNGRN				
SCALE 3:2	DATE 12/22/2016	DR MW	DWG XF0913P	REV A

THE INFORMATION CONTAINED IN THIS DOCUMENT IS PROPRIETARY TO E-SWITCH AND IS NOT TO BE COPIED OR TRANSFERRED